

## Firewarm Insert Stoves

### Easy Installation using our Unique Patented Fixing Mechanism

The Firewarm Insert Stove can be simply installed into a standard solid fuel fireplace opening. Simply remove the fret and grate; slide the appliance into place and tighten the locking system to seal the stove to the fascia of the fireplace back panel. Removing the fireclay fireback is not necessary.

This stove must not be installed into a chimney that serves any other heating appliance.

Remember, remove the Firewarm Insert Stove and clean your chimney every year.

### Protect the Environment

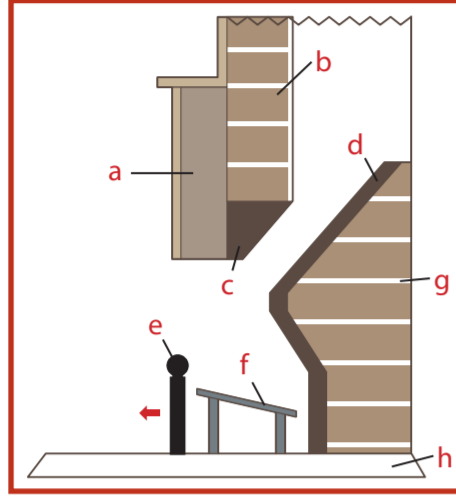
#### Efficiency

Depending on the chimney, open fires can be as low as 20% efficient; the majority of the heat produced goes straight up the chimney and out of the house. Stoves should deliver a minimum 65% efficiency, while some stoves can deliver up to 80% efficiency.

This means that a quality stove will produce more heat, from less fuel, for longer, than an open fire.

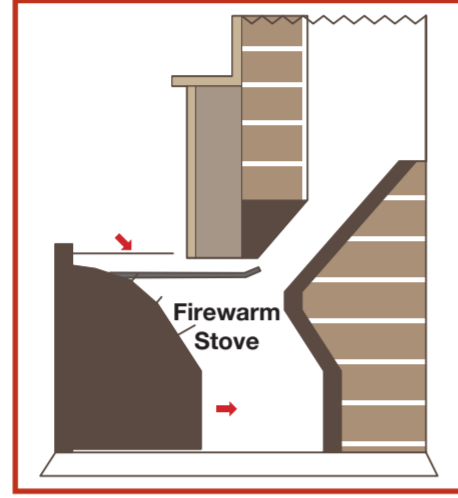
Naturally, this means that burning a stove is kinder to the environment also, burning less fuel and delivering fewer toxins into the atmosphere.

#### Step 1.



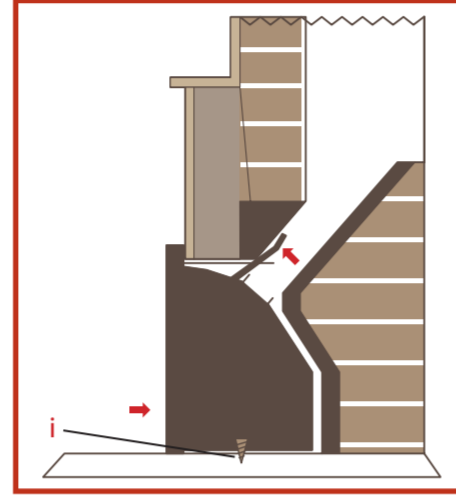
a. Fireplace Back Panel  
e. Fret

#### Step 2.



b. Chimney Breast  
f. Grate

#### Step 3.



c. Lintel  
g. Back Wall  
d. Fireback  
h. Hearth  
i. Securing Screw

#### Heat Loss

When the fire is unlit, the Firewarm Insert Stove will prevent any room heat escaping up the chimney. This will improve the BER rating for your home.

Most of our stoves carry the CE mark. This means they comply with the essential requirements of the relevant European health, safety and environmental protection legislation.



**firewarm**  
Stoves

Dublin 12  
Ireland  
Tel: 00 353 1 408 9932  
Email: info@firewarm.ie  
Web: www.firewarm.ie



**firewarm**  
Stoves

Firewarm - The Best of Irish Engineering

## Multi Fuel Stoves



**The Firewarm range of multifuel Stoves are ideal for burning wood, coal or peat.**

(The use of petrochemical fuels is not recommended)

Using the best in high temperature glass, combined with Firewarm combustion technology delivers consistently clean glass for unrestricted viewing of the fire through the large glass window.

Firewarm stoves offer a multifuel grate as standard.

#### Features:

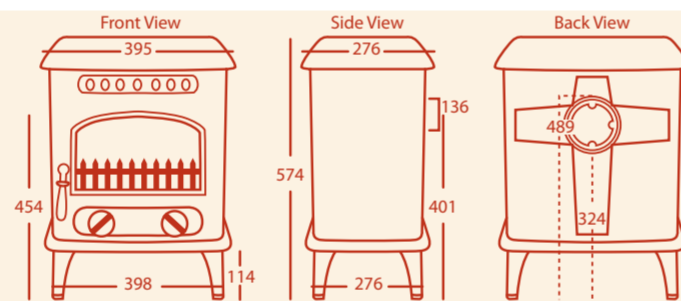
- Thermostatically controlled boiler models
- Riddling system on all non boiler models
- Secondary burn technology for increased efficiency
- Inner cast iron combustion chamber
- Primary and secondary air regulators
- Full cast iron construction
- Airwash technology
- Large ceramic glass door
- Top or rear outlet flue
- Adjustable leg height
- Ash pan with tool



HETAS is the official UK Government body who approve solid fuel domestic heating appliances. You will find Firewarm Stoves on the HETAS list.

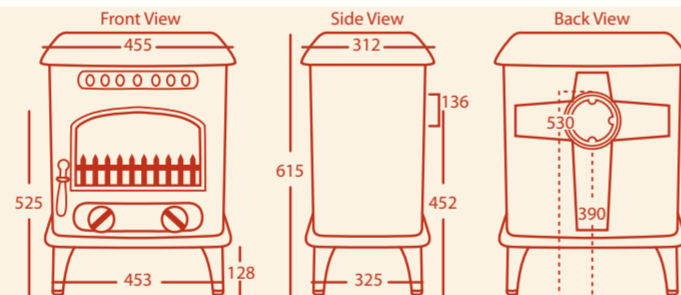
**firewarm**  
Stoves  
**4 KW**

Weight: 80KG  
Non boiler stove  
Output: 4KW / 14,000 BTU



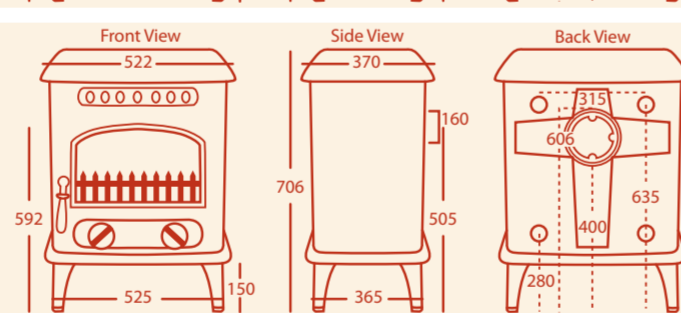
**firewarm**  
Stoves  
**6 KW**

Weight: 105KG  
Non boiler stove  
Output: 6KW / 21,000 BTU



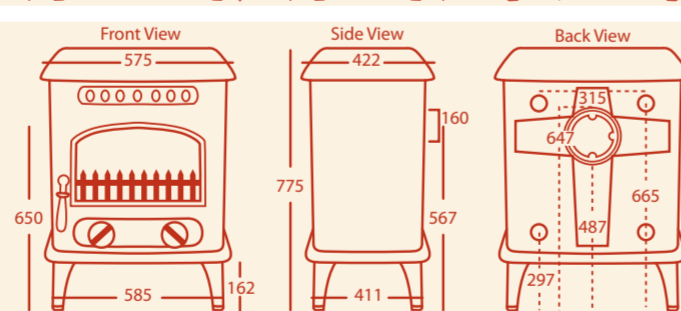
**firewarm**  
Stoves  
**8 KW**

Weight: 138KG / 135KG  
Non boiler stove  
Output: 8KW / 28,000 BTU  
Integrated boiler stove output  
Boiler: 5.2KW / 18,200 BTU  
(3-4 radiators\* including Domestic Hot Water)  
Room Heat: 2.8KW / 9,800 BTU



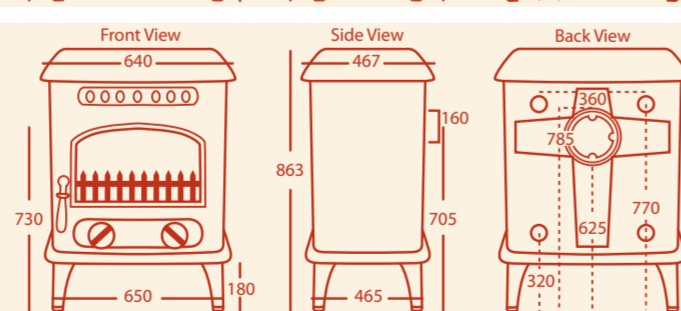
**firewarm**  
Stoves  
**12 KW**

Weight: 175KG / 179KG  
Non boiler stove  
Output: 12KW / 42,000 BTU  
Integrated boiler stove output  
Boiler: 7.8KW / 27,300 BTU  
(5-6 radiators\* including Domestic Hot Water)  
Room Heat: 4.2KW / 14,700 BTU



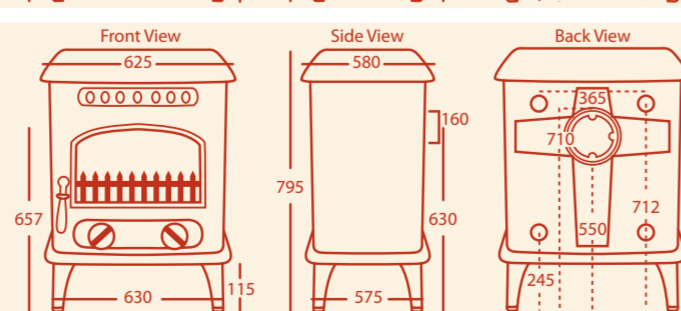
**firewarm**  
Stoves  
**16 KW**

Weight: 211KG / 198KG  
Non boiler stove  
Output: 16KW / 56,000 BTU  
Integrated boiler stove output  
Boiler: 10.4KW / 36,400 BTU  
(7-8 radiators\* including Domestic Hot Water)  
Room Heat: 5.6KW / 19,600 BTU



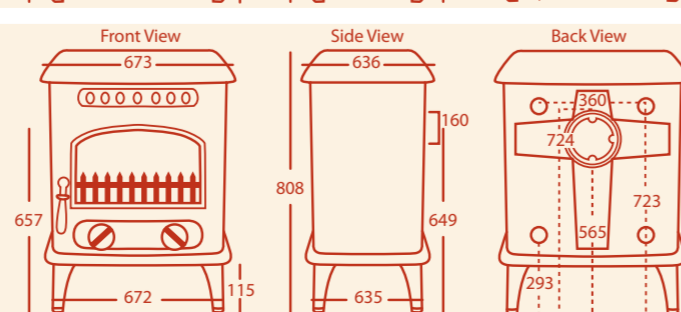
**firewarm**  
Stoves  
**25 KW**

Weight: 224KG  
Output 25KW / 87,500 BTU  
Integrated boiler stove output  
Boiler: 16.25 KW / 56,875 BTU  
(16-17 radiators\* including Domestic Hot Water)  
Room Heat: 8.75 KW / 30,625 BTU



**firewarm**  
Stoves  
**30 KW**

Weight: 230KG  
Output 30KW / 105,000 BTU  
Integrated boiler stove output  
Boiler: 19.5KW / 68,250 BTU  
(18-19 radiators\* including Domestic Hot Water)  
Room Heat: 10.5KW / 36,750 BTU



\*Based on standard single radiators and depends on proximity to appliance. 4 & 6KW takes a 5" (127mm) Flue Pipe. 8, 12, 16, 25, 30KW takes a 6" (152mm) Flue Pipe. All measurements in millimetres

**firewarm**  
Insert Stoves

Firewarm - The Best of Irish Engineering

## Multi Fuel Insert Stoves



#### Features:

- Secondary burn technology for increased efficiency
- Inner cast iron combustion chamber
- Primary and secondary air regulators
- Full cast iron construction
- Airwash technology
- Large ceramic glass door
- Ash pan with tool

**firewarm**  
Insert Stoves  
**4 KW**

Fuel: Solid Fuel or Wood  
(Wood moisture content should be below 20% for optimum burning)  
Heat Output: 4 KW  
Finish: Matt Black

