

Firewarm Insert Stoves

Easy Installation using our Unique Patented Fixing Mechanism

The Firewarm Insert Stove can be simply installed into a standard solid fuel fireplace opening. Simply remove the fret and grate; slide the appliance into place and tighten the locking system to seal the stove to the fascia of the fireplace back panel. Removing the fireclay fireback is not necessary.

This stove must not be installed into a chimney that serves any other heating appliance.

Remember, remove the Firewarm Insert Stove and clean your chimney every year.

Protect the Environment

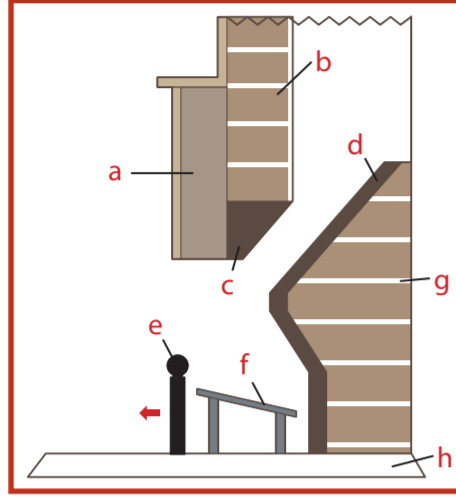
Efficiency

Depending on the chimney, open fires can be as low as 20% efficient; the majority of the heat produced goes straight up the chimney and out of the house. Stoves should deliver a minimum 65% efficiency, while some stoves can deliver up to 80% efficiency.

This means that a quality stove will produce more heat, from less fuel, for longer, than an open fire.

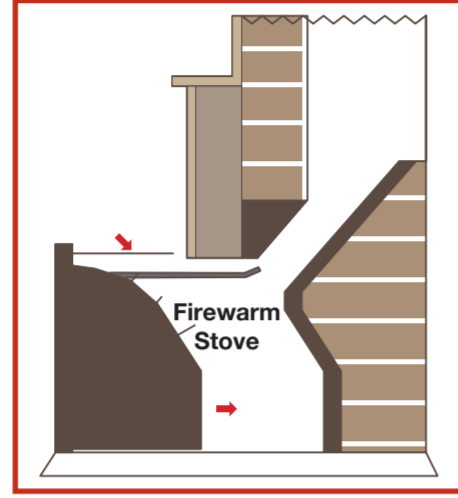
Naturally, this means that burning a stove is kinder to the environment also, burning less fuel and delivering fewer toxins into the atmosphere.

Step 1.



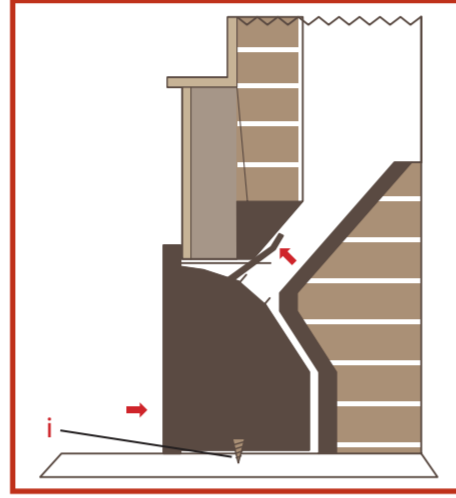
a. Fireplace Back Panel
e. Fret

Step 2.



b. Chimney Breast
f. Grate
g. Back Wall

Step 3.



d. Fireback
h. Hearth
i. Securing Screw

Heat Loss

When the fire is unlit, the Firewarm Insert Stove will prevent any room heat escaping up the chimney. This will improve the BER rating for your home.

Most of our stoves carry the CE mark. This means they comply with the essential requirements of the relevant European health, safety and environmental protection legislation.



firewarm
Stoves

Dublin 12
Ireland
Tel: 00 353 1 408 9932
Email: info@firewarm.ie
Web: www.firewarm.ie



firewarm
Stoves

Firewarm - The Best of Irish Engineering

Multi Fuel Stoves



The Firewarm range of multifuel Stoves are ideal for burning wood, coal or peat.

(The use of petrochemical fuels is not recommended)

Using the best in high temperature glass, combined with Firewarm combustion technology delivers consistently clean glass for unrestricted viewing of the fire through the large glass window.

Firewarm stoves offer a multifuel grate as standard.

Features:

- Thermostatically controlled boiler models
- Riddling system on all non boiler models
- Secondary burn technology for increased efficiency
- Inner cast iron combustion chamber
- Primary and secondary air regulators
- Full cast iron construction
- Airwash technology
- Large ceramic glass door
- Top or rear outlet flue
- Adjustable leg height
- Ash pan with tool

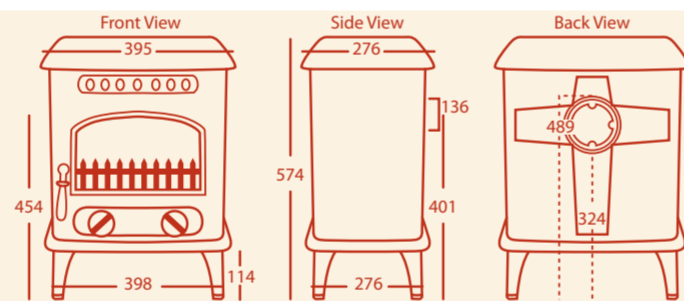


HETAS is the official UK Government body who approve solid fuel domestic heating appliances. You will find Firewarm Stoves on the HETAS list.



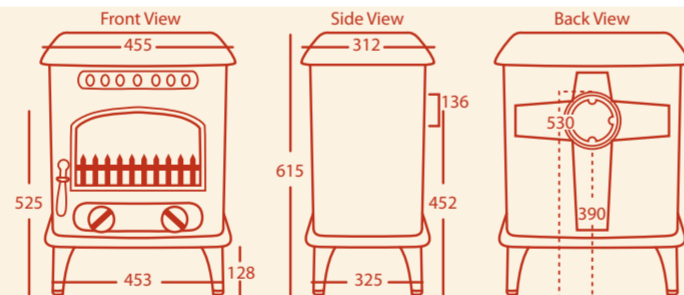
firewarm
Stoves
4 KW

Weight: 80KG
Non boiler stove
Output: 4KW / 14,000 BTU



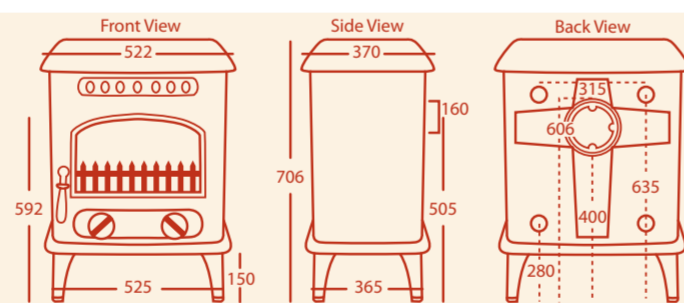
firewarm
Stoves
6 KW

Weight: 105KG
Non boiler stove
Output: 6KW / 21,000 BTU



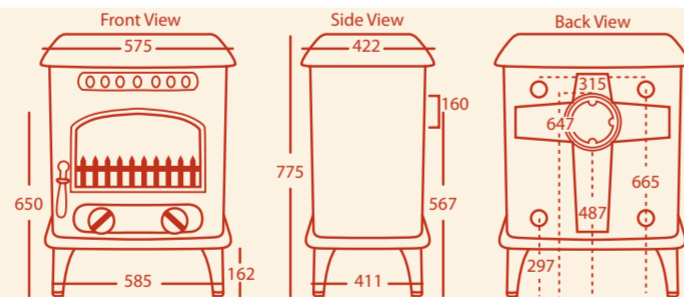
firewarm
Stoves
8 KW

Weight: 138KG / 135KG
Non boiler stove
Output: 8KW / 28,000 BTU
Integrated boiler stove output
Boiler: 5.2KW / 18,200 BTU
(3-4 radiators* including Domestic Hot Water)
Room Heat: 2.8KW / 9,800 BTU



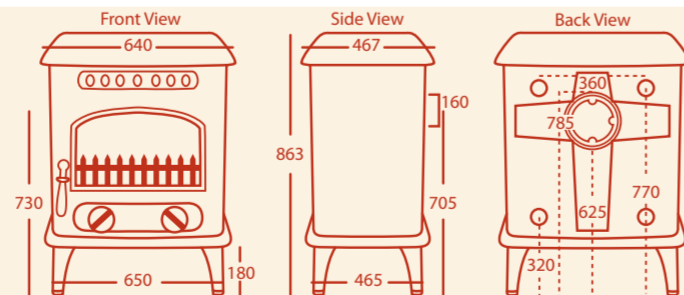
firewarm
Stoves
12 KW

Weight: 175KG / 179KG
Non boiler stove
Output: 12KW / 42,000 BTU
Integrated boiler stove output
Boiler: 7.8KW / 27,300 BTU
(5-6 radiators* including Domestic Hot Water)
Room Heat: 4.2KW / 14,700 BTU



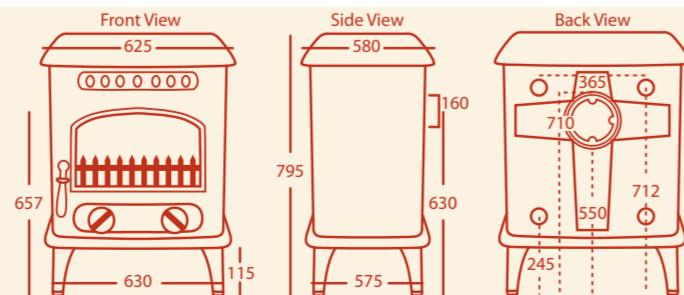
firewarm
Stoves
16 KW

Weight: 211KG / 198KG
Non boiler stove
Output: 16KW / 56,000 BTU
Integrated boiler stove output
Boiler: 10.4KW / 36,400 BTU
(7-8 radiators* including Domestic Hot Water)
Room Heat: 5.6KW / 19,600 BTU



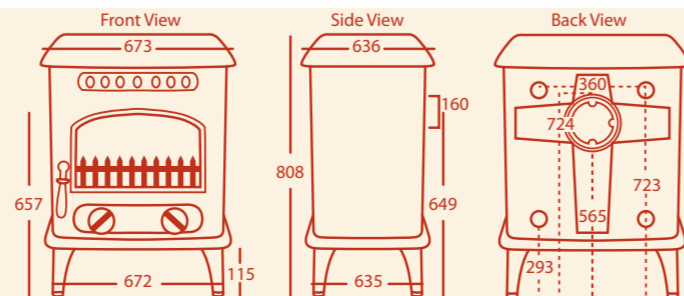
firewarm
Stoves
25 KW

Weight: 224KG
Output 25KW / 87,500 BTU
Integrated boiler stove output
Boiler: 16.25 KW / 56,875 BTU
(16-17 radiators* including Domestic Hot Water)
Room Heat: 8.75 KW / 30,625 BTU



firewarm
Stoves
30 KW

Weight: 230KG
Output 30KW / 105,000 BTU
Integrated boiler stove output
Boiler: 19.5KW / 68,250 BTU
(18-19 radiators* including Domestic Hot Water)
Room Heat: 10.5KW / 36,750 BTU



*Based on standard single radiators and depends on proximity to appliance. 4 & 6KW takes a 5" (127mm) Flue Pipe. 8, 12, 16, 25, 30KW takes a 6" (152mm) Flue Pipe. All measurements in millimetres

firewarm
Insert Stoves

Firewarm - The Best of Irish Engineering

Multi Fuel Insert Stoves



Features:

- Secondary burn technology for increased efficiency
- Inner cast iron combustion chamber
- Primary and secondary air regulators
- Full cast iron construction
- Airwash technology
- Large ceramic glass door
- Ash pan with tool

firewarm
Insert Stoves
4 KW

Fuel: Solid Fuel or Wood
(Wood moisture content should be below 20% for optimum burning)
Heat Output: 4 KW
Finish: Matt Black

